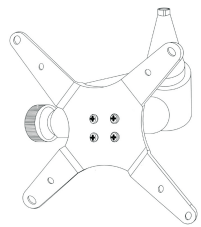


Universal Mounting Instructions

This product is designed to mount VESA 75/100 compatible LCD televisions up to 50 pounds onto a vertical wall. It allows you to effortlessly tilt and swivel your new television up to 15 degree in either direction without the use of tools. Check carefully to make sure there are no missing or defective parts. Never use defective parts. Improper installation may cause damage or serious injury. If you not understand these directions, or have any doubts about the safety of the installation, please call a qualified contractor.

Required Tools: Drill with 3/16 inch bit, Phillips screw driver

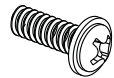
Parts and Hardware: * Not shown as actual size



(1) Monitor Mount -a



(1) Wall Plate -b



(4) M4x10 Bolt -c



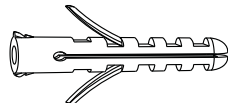
(1) Knob -d



(2) Lag Bolt -e



(1) Cap -f



(2) Concrete Anchor-g

Step1-Attaching to the Television: Attach the Monitor Mount (a) to the back of your LCD television using the M4 x 10 Bolt(c) as shown in Diagram 1. Place 4 bolts through the Monitor Mount and tighten snugly into the VESA bolt mounting pattern on the back of the television. Make sure the large side of the tapered hole on the Monitor Mount faces toward the bottom of the television.

Step2-Attaching to the Wall: Hardware for wood stud mounting is provided. For all other mounting applications contact a local contractor or hardware store. Use a high quality stud sensor to locate a stud. It is a good idea to verify the stud location with an awl or thin nail as shown in Diagram 2a. Use the Wall Plate(b) as a template to mark the two holes locations on the wall. Make sure these holes are aligned vertically and centered over the stud. Pre-drill the two holes to a depth of 2.5 inch using a 3/16 inch drill bit. Attach the Wall Plate to the wall using the two Lag Bolts (e) as shown in Diagram 2b.

Diagram 1

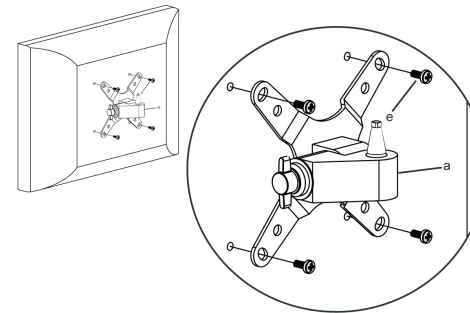


Diagram 2a

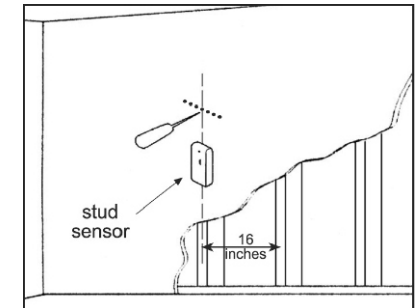


Diagram 2b

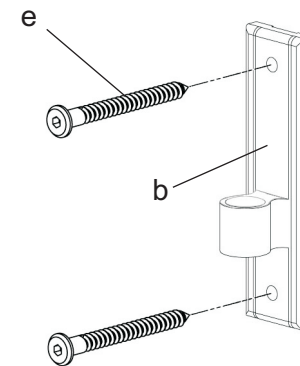
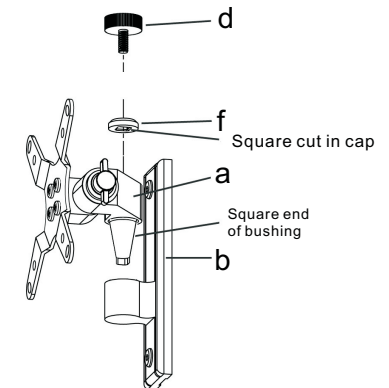


Diagram 3



Step3-Add Monitor Mount to Wall Plate: Once the LCD TV is attached to the Monitor Mount (a), and the Wall Plate(b) is properly installed, set the tapered hole in the Monitor Mount down over the cone shaped bushing on the Wall plate. This process is shown without the TV in Diagram 3 so that you can see the parts more clearly. Make sure the Monitor Mount is seated completely onto the Wall Plate. Add the Cap (f). Make sure the square cut into the fits over the square top of the Wall Plate bushing. Finally place the Knob (d) , the Cap and into the cone shaped bushing. You can now set each of the knobs to the desired level of tension.